

**UNIT VENTILATOR SCHEDULE**

UNIT NO.	MANUF. NO.	CFM	CFM PER SQ. FT.	HP	REMARKS
1	07	750	500	7	1/8"

SELECTION BASED ON TRANS CO. DATA SHEET 207D.

**HEATING & VENTILATING UNIT SCHEDULE**

UNIT NO.	LOCATION	CFM	T.S.P.	H.R.	COIL SIZE	H.W. INCHES	WAT. L.A.T.	M.B.H.	REMARKS	
1	GRIT SCREEN	2400	75°	3/4"	14-47	2	20	110	220	EXPLORATION FIELD PUMP STA.
2	CHLORINE	3200	85°	1 1/2"	15-42	2	2 1/2"	100	276	

SELECTION BASED ON TRANS CO. DATA SHEET 207D.

**UNIT HEATER SCHEDULE**

NO.	M.B.H.	CFM	R.R.M.	H.R.	DIFFUSER TYPE	LOCATION
1	15.1	548	1850	1/2"	STD	CONTROL RM.
2	20.6	591	1850	1/2"	STD	WORK RM.

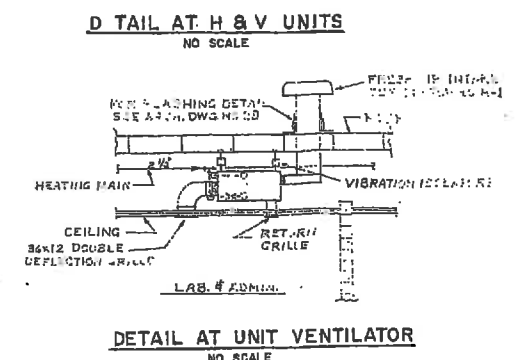
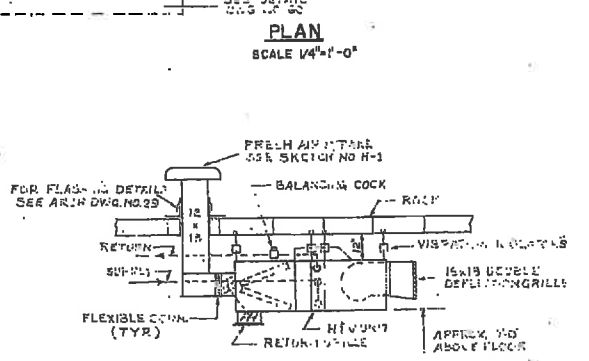
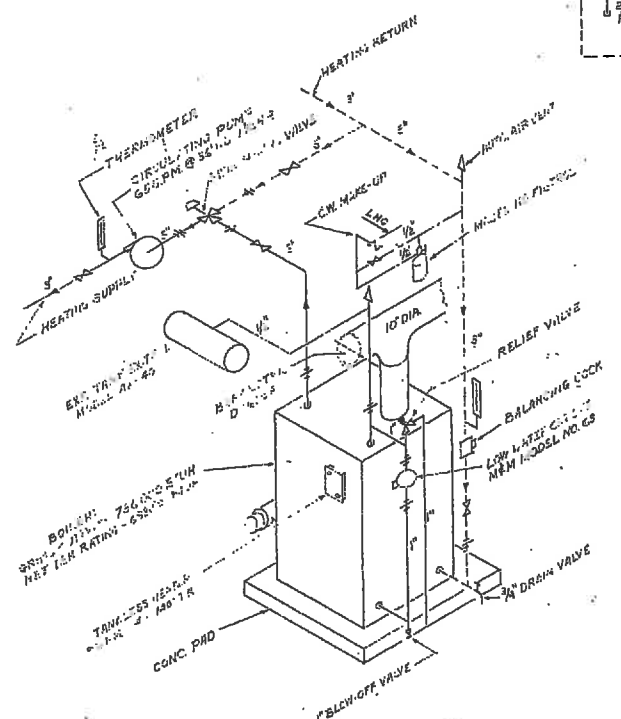
SELECTION BASED ON TRANS CO. DATA SHEET 207D.

**EXHAUST FAN SCHEDULE**

NO.	CFM	S.P.	TIP S.C.	DRIVE	H.P.	REMARKS
1	1200	1/8"	3930	BELT	1/4"	OPER. BLDG.
2	500	3/8"	3450	BELT	1/4"	OPER. BLDG.
3	1500	1/8"	3885	BELT	1/4"	OPER. BLDG.
4	140	1/8"	2015	DIRECT	25 H.P.	COIL BLDG.
5	3630	1/4"	4100	BELT	1"	RAMBELL RD. PUMPING STA.
6	2600	1/4"	4280	BELT	3/4"	RAMBELL RD. PUMPING STA.

SELECTION BASED ON CARNEL CO.

- LEGEND**
- HEATING SUPPLY PIPING
  - - - HEATING RETURN PIPING
  - ⊗ GATE VALVE
  - ⊕ UNION
  - ⊖ INVERTED ECCENTRIC COUPLING
  - ⊙ BALANCING COCK
  - ⊚ 3WAY MIXING VALVE
  - ⊠ CIRCULATING PUMP
  - ⊕ AUTOMATIC AIR VENT
  - ⊖ THERMOSTAT, INSIDE
  - ⊗ OUTSIDE THERMOSTAT



FENTON G. KEYES ASSOCIATES

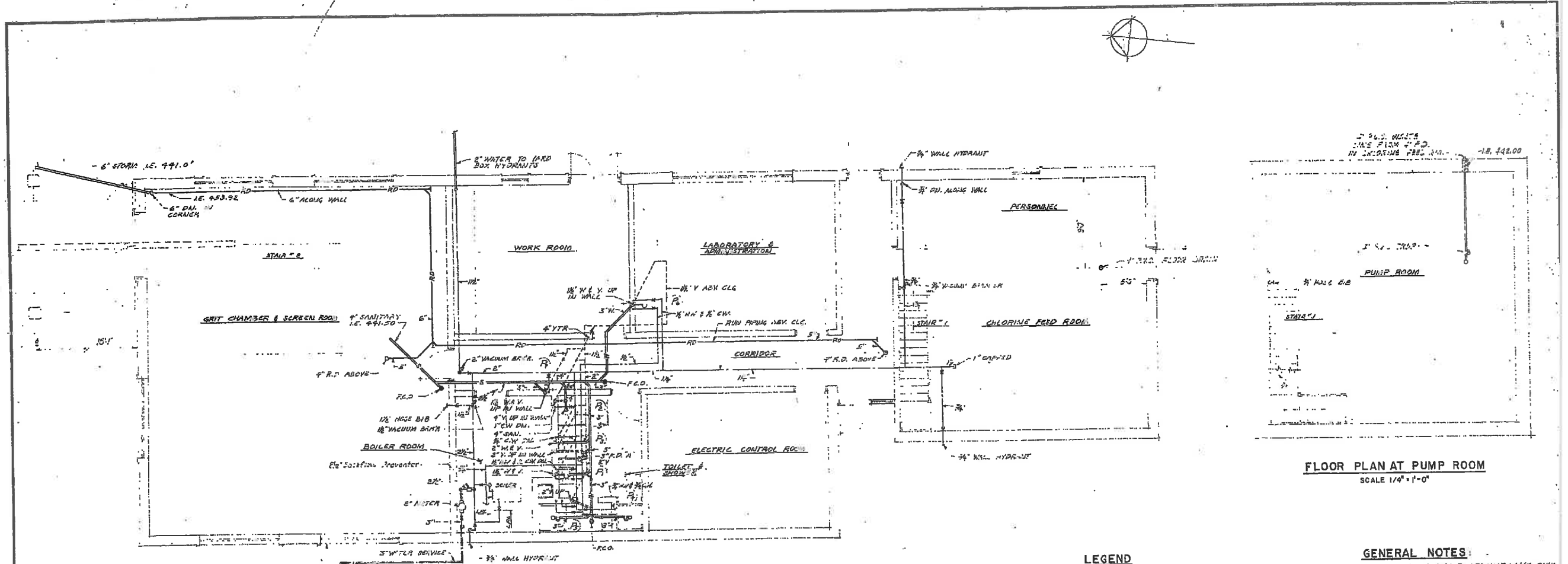
**OPERATIONS BUILDING  
HEATING & VENTILATING**

1 OF 1

DESIGNED BY: [Signature] DRAWN BY: [Signature] CHECKED BY: [Signature] JOB NO.: C-2028

**SEWERAGE TREATMENT PLANT**

**SEWERAGE SYSTEM  
HENNIKER, NEW HAMPSHIRE** 30

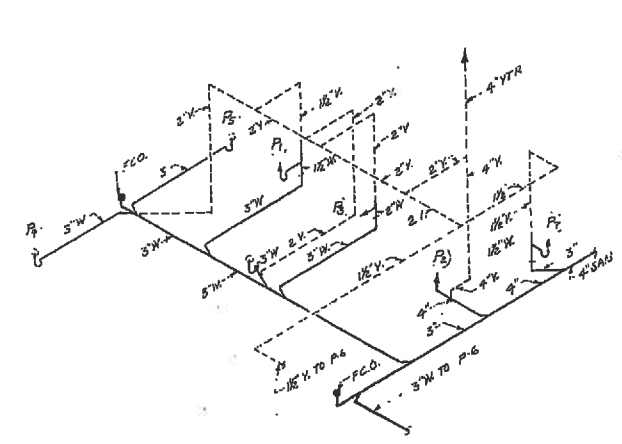


FLOOR PLAN AT PUMP ROOM  
SCALE 1/4" = 1'-0"

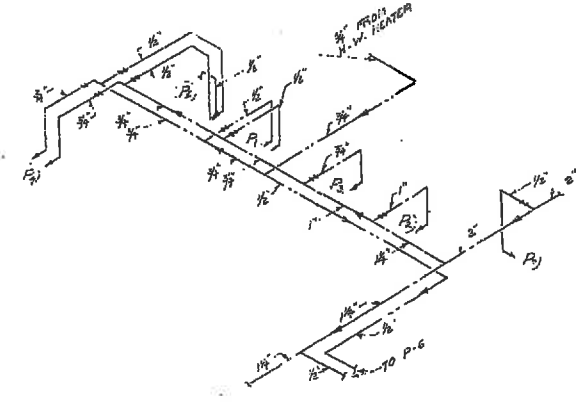
FLOOR PLAN  
SCALE 1/4" = 1'-0"

- LEGEND**
- RD ROOF DRAIN ABOVE FLOOR
  - RD ROOF DRAIN BELOW FLOOR
  - S SANITARY ABOVE FLOOR
  - S SANITARY BELOW FLOOR
  - W WASTE BELOW FLOOR
  - V VENT BELOW FLOOR
  - V VENT ABOVE FLOOR
  - CW COLD WATER PIPING (C.W.)
  - HW HOT WATER PIPING (H.W.)
  - CV GATE VALVE
  - CV CHECK VALVE & DIRECTION OF FLOW
  - FCO FLOOR CLEANOUT
  - YTH YEAT THRU ROOF FLOOR DRAIN
  - FD FLOOR DRAIN
  - I.S. INVERT ELEVATION

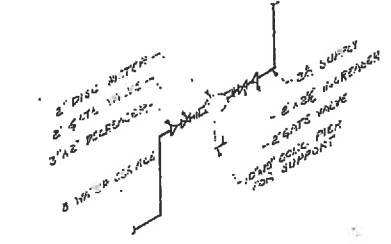
- GENERAL NOTES**
1. ALL PIPING SHOWN DIMENSIONALLY ONLY EXACT LOCATION TO BE DETERMINED IN FIELD. COORDINATE ALL PLUMBING GENERAL WITH HEATING & ELECTRICAL CONTRACTORS.
  2. SLOPE ALL SANITARY & WASTE PIPING 1/4" PER FOOT UNLESS OTHERWISE NOTED.
  3. SLOPE ALL ROOF DRAINAGE PIPING 1/4" PER FOOT UNLESS OTHERWISE NOTED.
  4. ISOLATE ALL HORIZONTAL ROOF DRAINAGE PIPING ABOVE FLOOR.
  5. FINAL CONNECTIONS TO ALL EQUIPMENT FURNISHED BY OTHERS SHALL BE DONE UNDER THE PLUMBING CONTRACTOR'S AS INDICATED EXACT SIZE & LOCATION SHALL BE DETERMINED BY EQUIPMENT FURNISHED OR SELECTED.
  6. PROVIDE LOCKING MECHANISM AT HALL ENDS AND THE PIPING.



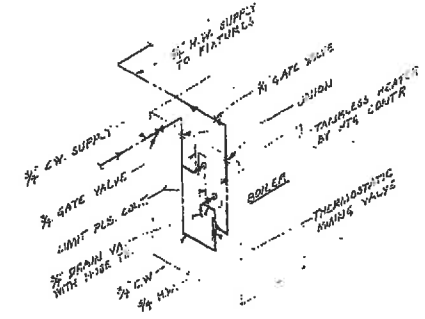
ISOMETRIC OF SANITARY, WASTE & VENT PIPING  
NOT TO SCALE



ISOMETRIC OF HOT & COLD WATER PIPING  
NOT TO SCALE



DETAIL OF PIPING AT WATER METER  
NOT TO SCALE



DETAIL OF HOT WATER HEATER PIPING  
NOT TO SCALE

**PLUMBING FIXTURE SCHEDULE**

QTY	DESCRIPTION	WATER	WASTE	GV	HW	REMARKS
P1	LAVATORY	1/2"	1/2"	1/2"	1/2"	WALL HUNG
P2	WATER CLOSET (W.C.)	4"	2"	1"	-	FLOOR MTD.
P3	URINAL (U.V.)	2"	2"	1/2"	-	WALL HUNG
P4	SERVICE RECEPTOR	3"	2"	1/2"	1/2"	32" x 32" x 12"
P5	SHOWER	2"	2"	1/2"	1/2"	STALL TYPE
P6	L.S. VALVE & COULICA	1/2"	1/2"	1/2"	1/2"	FURNISHED BY STEEL PIPING CO. BY P.L.M.
P7	ELECT. WATER COOLER	1/2"	1/2"	1/2"	-	WALL MOUNTED

OPERATIONS BUILDING  
PLUMBING  
1 OF 1

SEWAGE TREATMENT PLAN  
SEWERAGE SYSTEM  
HENNIKER, NEW HAMPSHIRE

31